

THE CITY OF NAPOLEON

BUILDING & ZONING DEPARTMENT

255 W. RIVERVIEW

(419)592-4010

Sign Permit Zoning Only

Page 1 of 1

Permit Number: SG2005-10

Printed: 5/13/2005

Property Address: 1815 Scott St.

Applicant Archer Sign Corp
Address: 1917 Henry Ave SW
Canton, OH 44706

Approval Date: 5/13/2005

Phone: 330-455-9995

Owners

Name: WalMart Superstore
Address: 1815 Scott St

Contractors Archer Sign Corp
Address: 1917 Henry Ave SW
Canton, OH 44706

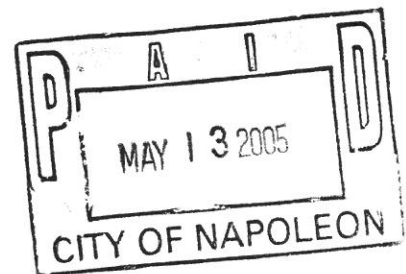
Phone 330-455-9995

Fees and Receipts:

| Number | Description | Amount |
|-------------|-------------|---------|
| FEE2005-417 | Sign (Auto) | \$25.00 |

Total Fees: \$25.00

Description of work to be done: gas price sign on existing Walmart highway sign



Applicant signature: _____ **Date:** _____

City of Napoleon
Engineering Department

| |
|-----------------------------------|
| Office Use Only |
| Permit No: _____ |
| App. Date: _____ |
| Est. Cost: _____ |
| Base Fee: <u>25⁰⁰</u> |
| Plus Fee: <u>0</u> |
| Total Fee: <u>25⁰⁰</u> |

Application for Sign Permit

Owner Name: Walmart / Murphy Oil

Owner Address: 1815 Scott St

Contractor Name: Arched Sign Corp

Contractor Address: 1917 Henry Ave S.W. PH: 330-455-9995

Location of Project: Walmart 1815 Scott St Napoleon

Additional Information: Sign Type - Post Wall _____ Ground _____ Awning _____

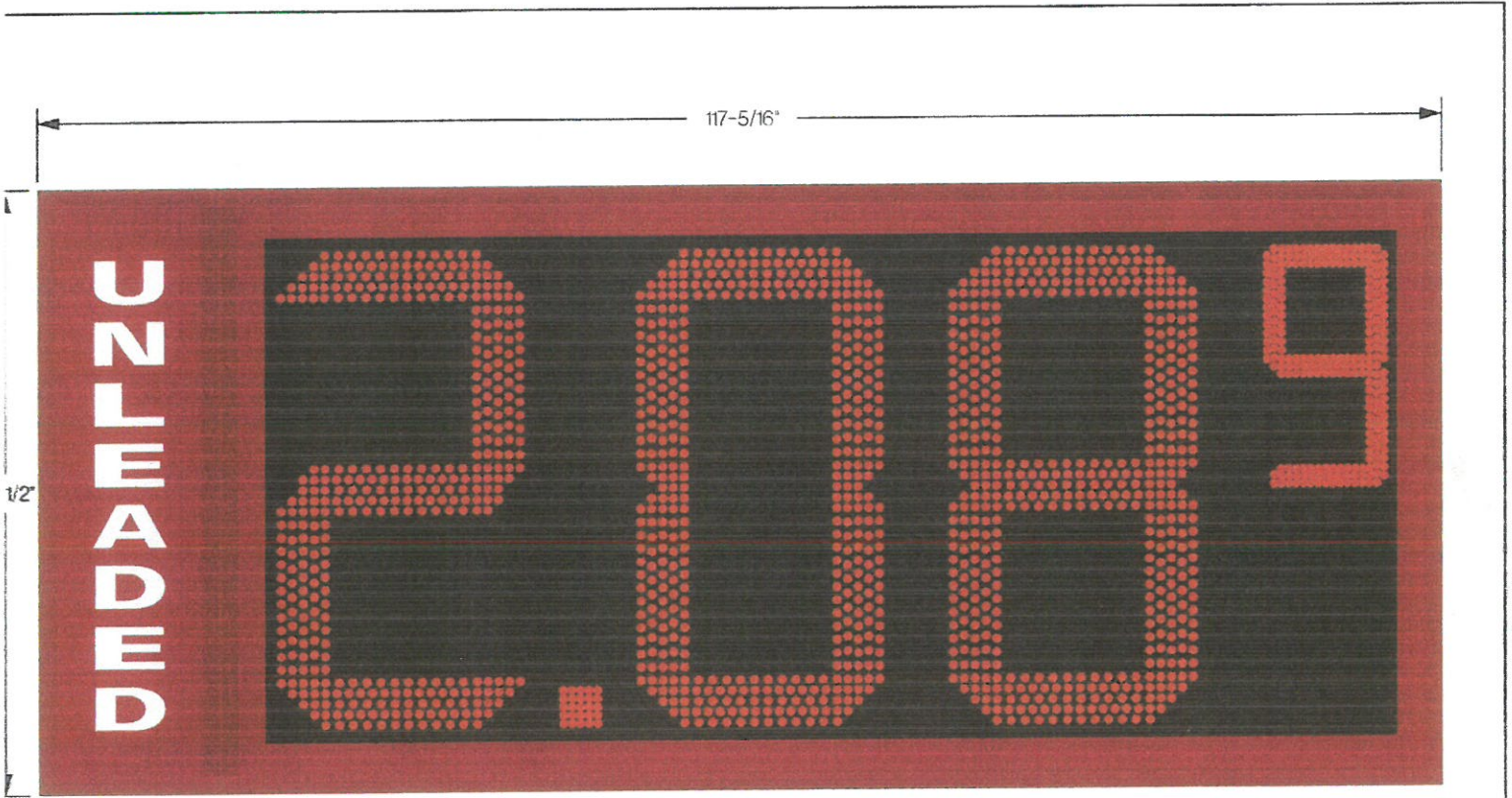
Dimensions: 117' x 51.5" ARROW Total S.F. 41.9

Date: 4/13/05 Applicant Signature: [Signature]

Application must include a site drawing or a description of the location of the sign (where applicable) and a sketch of the proposed sign(s).

Not Needed Per Tom Zimmelman due to going on Existing Sign

The permit fee is as follows: \$25.00 base which includes up to 50 square feet of sign area, plus .10 per square foot after 50 square feet, not to exceed \$100.00 in any case.



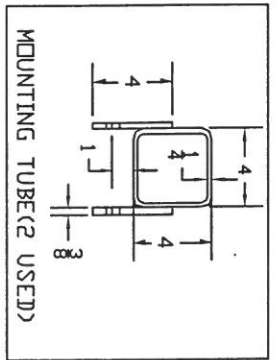
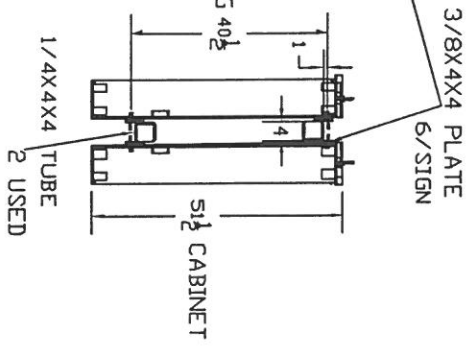
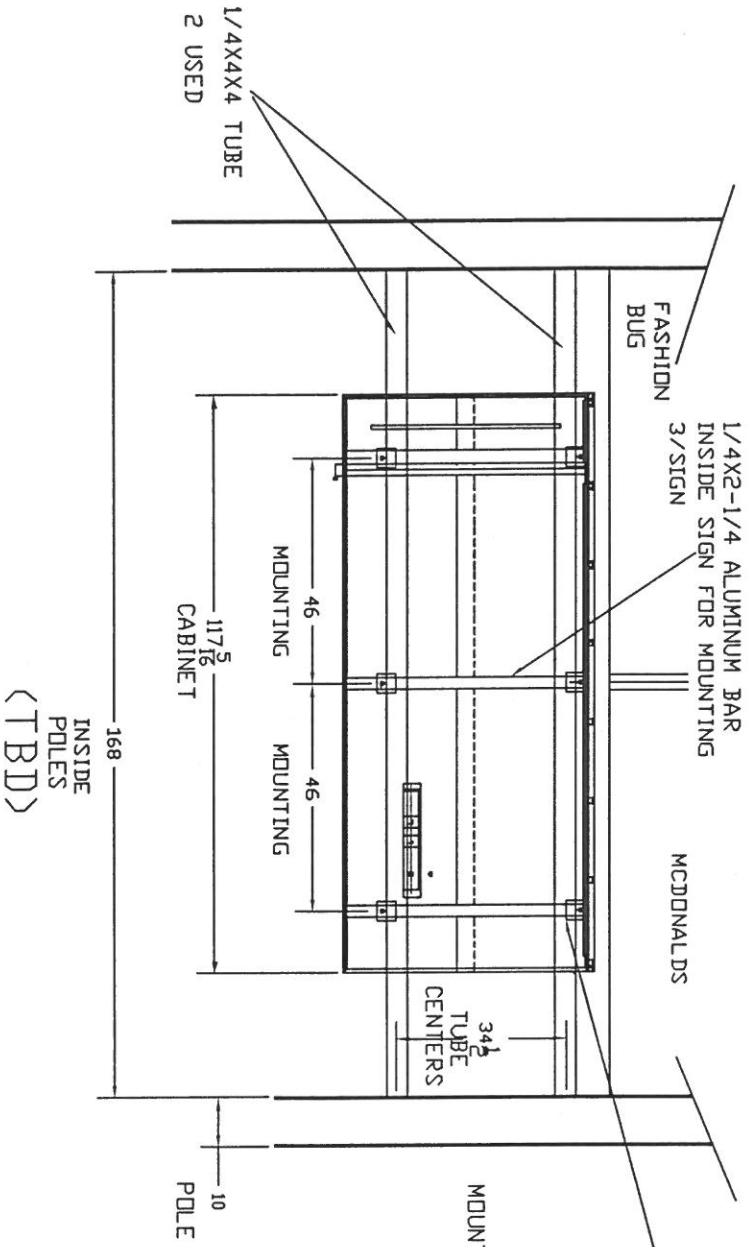
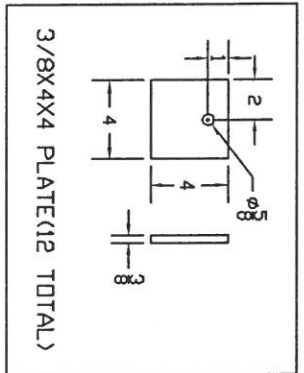
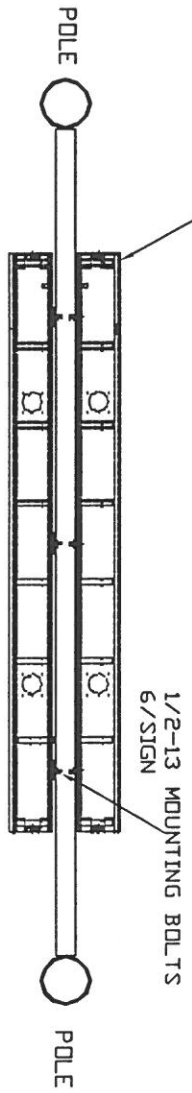
| ADDITIONAL NOTES: COLORS ON THIS PRINT ARE MERELY REPRESENTATIONAL, AND MAY NOT ACCURATELY MATCH THE SPECIFIED COLORS. FOR ACTUAL COLOR VALUES, PLEASE CONSULT A PANTONE OR 3M COLOR GUIDE. | DISCLAIMER <small>© MILWAUKEE SIGN CO., LLC. THIS DOCUMENT REFLECTS TRADE SECRETS AND CONFIDENTIAL INFORMATION, AND MAY NOT BE COPIED, PUBLISHED, OR DISSEMINATED IN ANY MANNER WITHOUT THE PRIOR EXPRESS WRITTEN CONSENT OF MILWAUKEE SIGN CO. ALL RIGHTS RESERVED INCLUDING ANY APPLICABLE PATENT AND COPYRIGHT RIGHTS. ALL ILLUSTRATIONS ARE VISUAL REPRESENTATIONS ONLY. REFER TO ENGINEERING DRAWINGS FOR SPECIFIC INFORMATION.</small> | | DESCRIPTION: MURPHY 51-1/2"x117-5/16" LED PRICE SIGN w/40" LED's | |  Milwaukee Sign Co., LLC www.milwaukee-sign.com | | | | | |
|--|--|-------------|---|----------|--|-----|---------|----------|-----|---|
| | <table border="1"> <thead> <tr> <th>DRAWING NO.</th> <th>DATE</th> <th>DRAWN BY</th> <th>REV</th> </tr> </thead> <tbody> <tr> <td>CON2889</td> <td>06/29/04</td> <td>JWG</td> <td>1</td> </tr> </tbody> </table> | DRAWING NO. | DATE | DRAWN BY | | REV | CON2889 | 06/29/04 | JWG | 1 |
| DRAWING NO. | DATE | DRAWN BY | REV | | | | | | | |
| CON2889 | 06/29/04 | JWG | 1 | | | | | | | |



| ADDITIONAL NOTES: | DISCLAIMER | | DESCRIPTION: WAL-MART HI-RISE w/MURPHY LED PRICE SIGN w/40' LED's | |  Milwaukee Sign Co., LLC www.milwaukeeaigu.com | | | | | | |
|-------------------|---|----------|--|-------------|--|------|----------|-----|---------|----------|-----|
| | <small>© MILWAUKEE SIGN CO., LLC. THIS DOCUMENT REFLECTS TRADE SECRETS AND CONFIDENTIAL INFORMATION, AND MAY NOT BE COPIED, PUBLISHED, OR DISSEMINATED IN ANY MANNER WITHOUT THE PRIOR EXPRESS WRITTEN CONSENT OF MILWAUKEE SIGN CO. ALL RIGHTS RESERVED INCLUDING ANY APPLICABLE PATENT AND COPYRIGHT RIGHTS. ALL ILLUSTRATIONS ARE VISUAL REPRESENTATIONS ONLY. REFER TO ENGINEERING DRAWINGS FOR SPECIFIC INFORMATION.</small> | | <table border="1"> <thead> <tr> <th>DRAWING NO.</th> <th>DATE</th> <th>DRAWN BY</th> <th>REV</th> </tr> </thead> <tbody> <tr> <td>CON4030</td> <td>04/19/05</td> <td>JWG</td> <td>0</td> </tr> </tbody> </table> | DRAWING NO. | | DATE | DRAWN BY | REV | CON4030 | 04/19/05 | JWG |
| DRAWING NO. | DATE | DRAWN BY | REV | | | | | | | | |
| CON4030 | 04/19/05 | JWG | 0 | | | | | | | | |

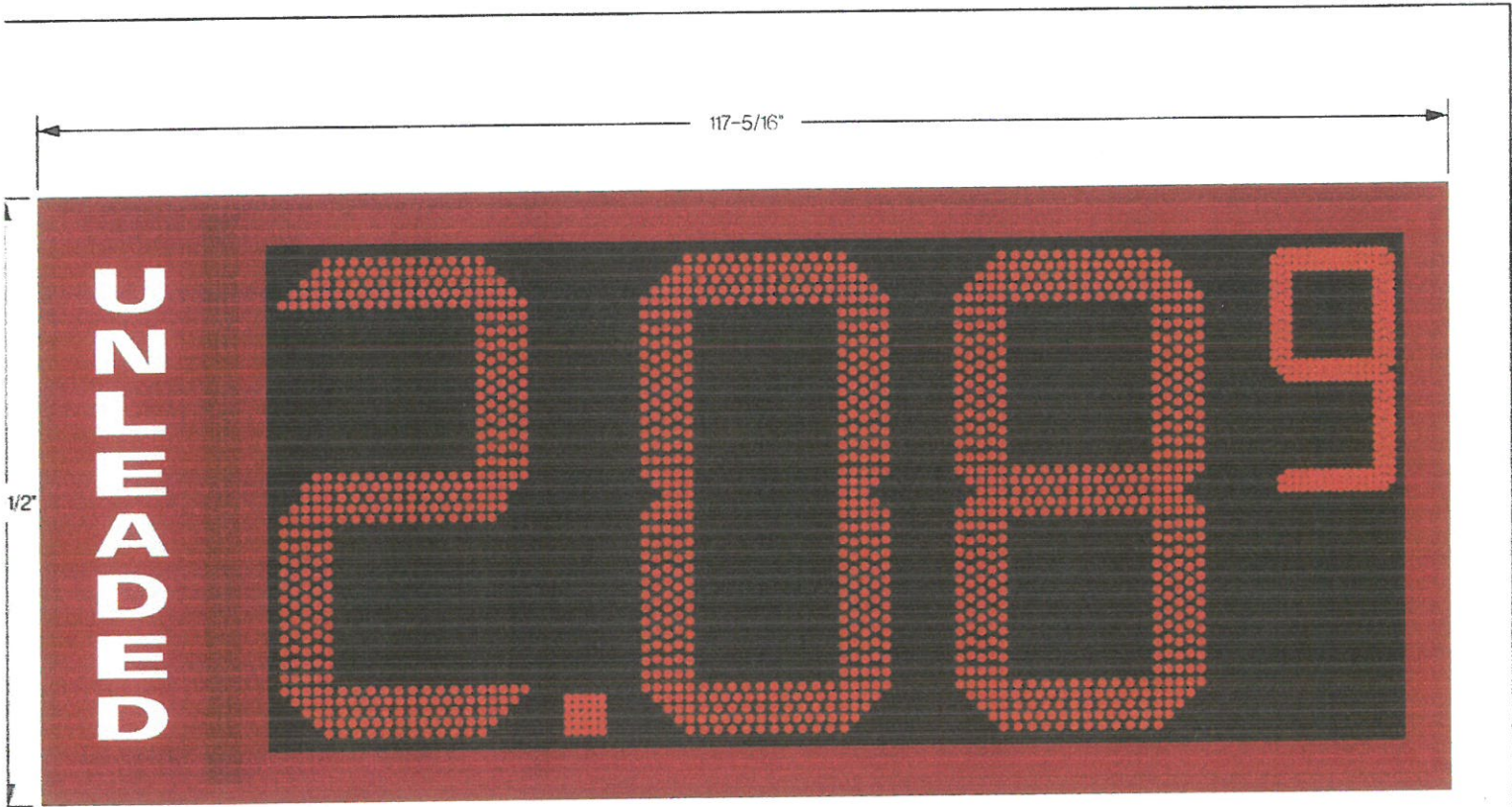
*Sign next to Pt. 24
Sign @ 65' High*

51-1/2X117-5/16 MURPHY SIGN (2 USED)



| DATE | REV | DESCRIPTION | INITIAL | 100% PROCESS CONTROL SHEETS | TOLERANCE UNLESS SPECIFIED | DESCRIPTION | DRAWING NO. | DATE | DRAWN BY | REV |
|------|-----|-------------|---------|--|--|--------------------------------|-------------|----------|----------|-----|
| | | | | SHEARING - METAL PUNCH SIGHTING, SAW BENDING, MOLDING SHEARING PLASTIC, RILLING RESTRICTION - TORQUING * S111 * S112 * S113 * S114 * S115 | * S111 * S112 * S113 * S114 * S115 * S116 * S117 * S118 * S119 * S120 | WALMART HIRISE WITH 40" MURPHY | DR164.1 | 05/06/05 | PAO | |





ADDITIONAL NOTES:

COLORS ON THIS PRINT ARE MERELY REPRESENTATIONAL, AND MAY NOT ACCURATELY MATCH THE SPECIFIED COLORS. FOR ACTUAL COLOR VALUES, PLEASE CONSULT A PANTONE OR 3M COLOR GUIDE.

DISCLAIMER

© MILWAUKEE SIGN CO., LLC. THIS DOCUMENT REFLECTS TRADE SECRETS AND CONFIDENTIAL INFORMATION, AND MAY NOT BE COPIED, PUBLISHED, OR DISSEMINATED IN ANY MANNER WITHOUT THE PRIOR EXPRESS WRITTEN CONSENT OF MILWAUKEE SIGN CO. ALL RIGHTS RESERVED INCLUDING ANY APPLICABLE PATENT AND COPYRIGHT RIGHTS. ALL ILLUSTRATIONS ARE VISUAL REPRESENTATIONS ONLY. REFER TO ENGINEERING DRAWINGS FOR SPECIFIC INFORMATION.

DESCRIPTION: MURPHY 51-1/2"x117-5/16"
LED PRICE SIGN w/40" LED's

| DRAWING NO. | DATE | DRAWN BY | REV |
|-------------|----------|----------|-----|
| CON2889 | 08/29/04 | JWG | 1 |





ADDITIONAL NOTES:

COLORS ON THIS PRINT ARE MERELY REPRESENTATIONAL, AND MAY NOT ACCURATELY MATCH THE SPECIFIED COLORS FOR ACTUAL COLOR VALUES. PLEASE CONSULT A PANTONE OR 3M COLOR GUIDE.

DISCLAIMER

© MILWAUKEE SIGN CO., LLC. THIS DOCUMENT REFLECTS TRADE SECRETS AND CONFIDENTIAL INFORMATION, AND MAY NOT BE COPIED, PUBLISHED, OR DISSEMINATED IN ANY MANNER WITHOUT THE PRIOR EXPRESS WRITTEN CONSENT OF MILWAUKEE SIGN CO. ALL RIGHTS RESERVED INCLUDING ANY APPLICABLE PATENT AND COPYRIGHT RIGHTS. ALL ILLUSTRATIONS ARE VISUAL REPRESENTATIONS ONLY. REFER TO ENGINEERING DRAWINGS FOR SPECIFIC INFORMATION.

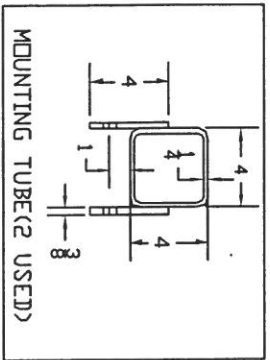
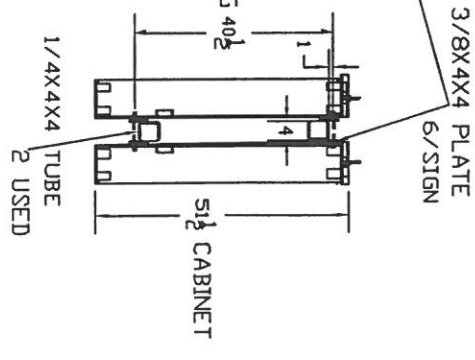
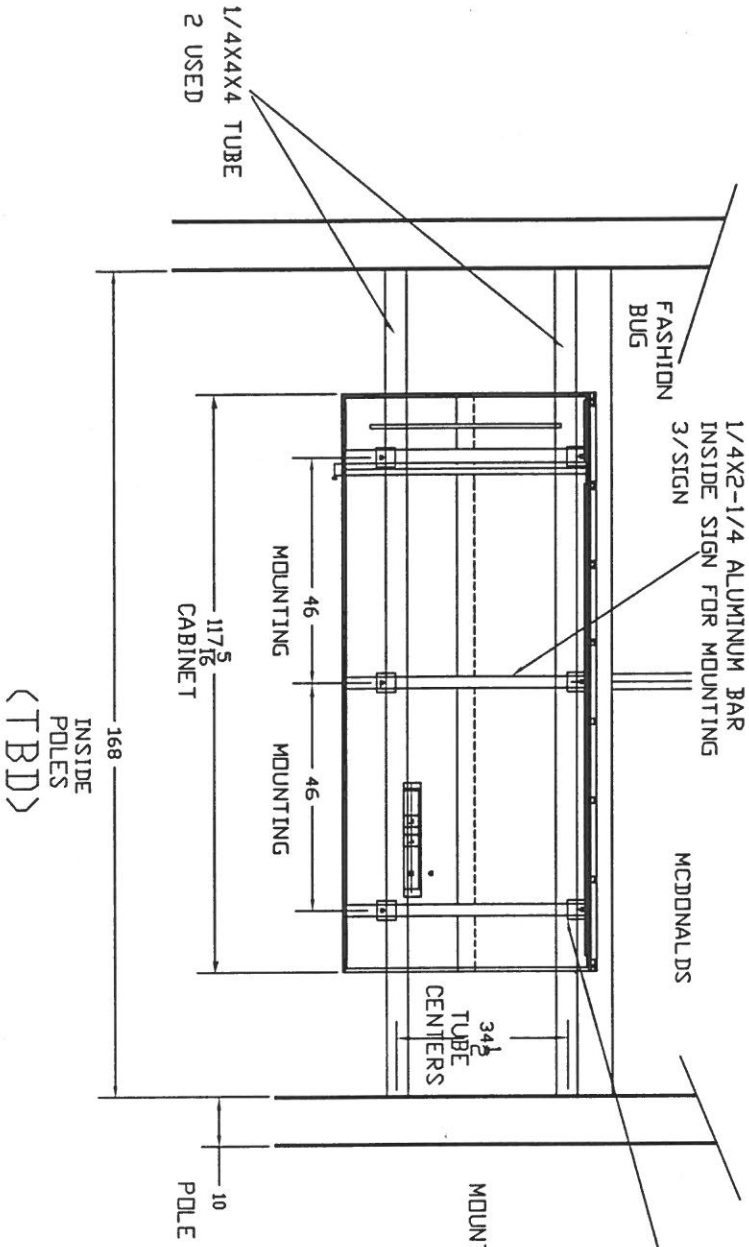
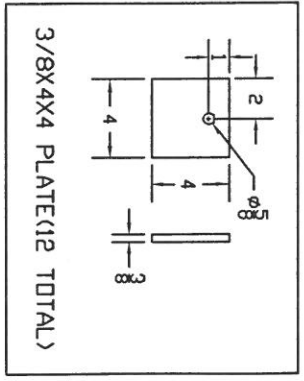
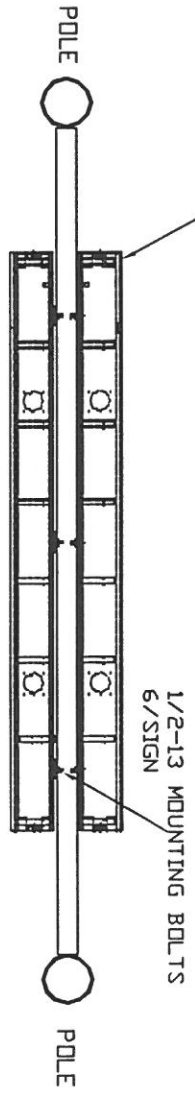
DESCRIPTION: WAL-MART HI-RISE w/MURPHY LED PRICE SIGN w/40" LED's

| DRAWING NO. | DATE | DRAWN BY | REV |
|-------------|----------|----------|-----|
| CON4030 | 04/19/05 | JWG | 0 |



*Sign Next to Rt 24
Sign @ 65' High*

SI-1/2X17-5/16 MURPHY SIGN (2 USED)

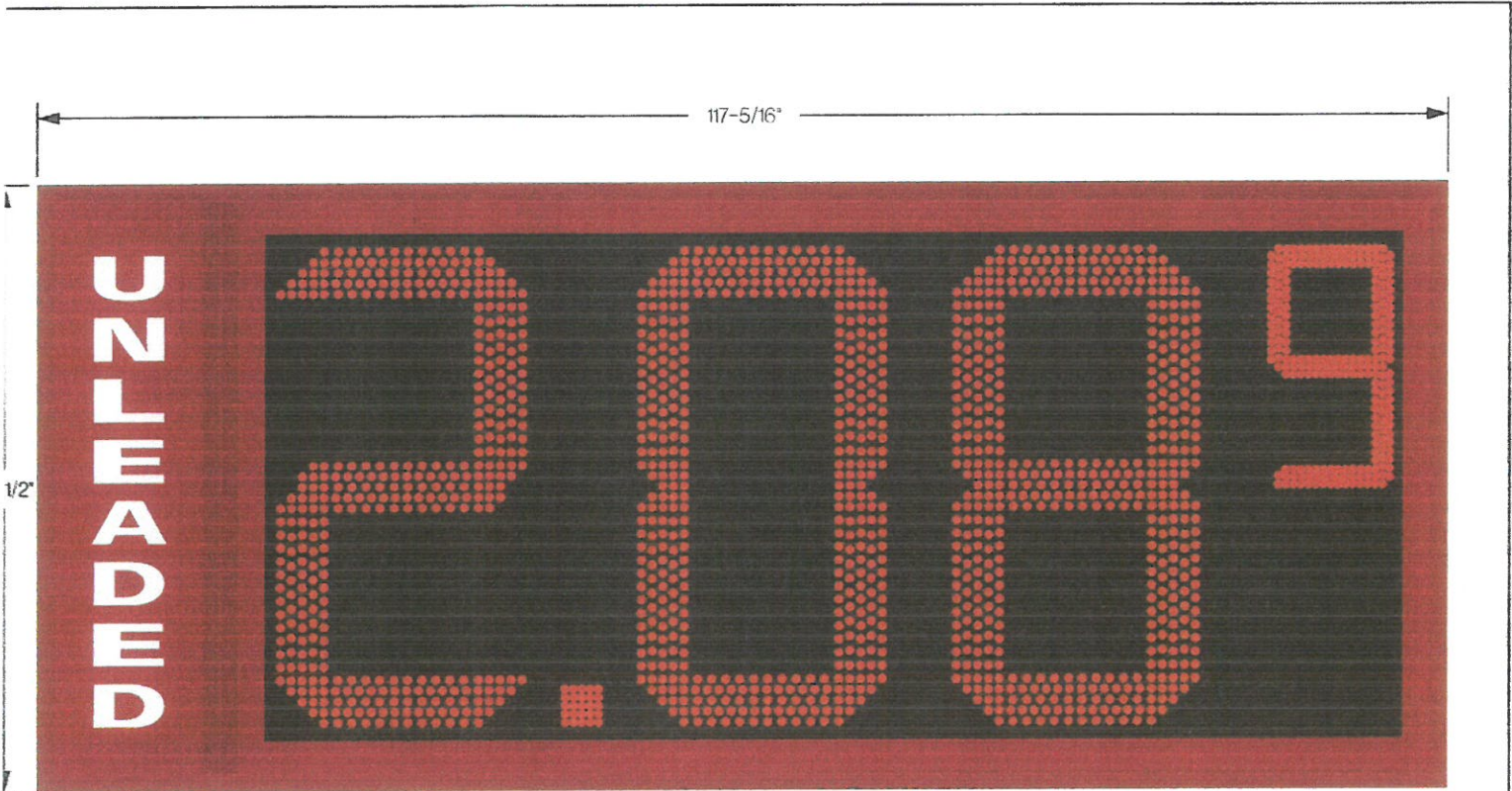


| DATE | REV | DESCRIPTION | INITIAL |
|------|-----|-------------|---------|
| | | | |
| | | | |
| | | | |
| | | | |

| DATE | REV | DESCRIPTION | INITIAL |
|----------|-----|---------------------------------|---------|
| DR164.1 | | WALMART HIRISE WITH 4.0" MURPHY | |
| 05/06/05 | | | |
| | | | |
| | | | |

| DATE | REV | DESCRIPTION | INITIAL |
|------|-----|-------------|---------|
| | | | |
| | | | |
| | | | |
| | | | |





ADDITIONAL NOTES:

COLORS ON THIS PRINT ARE MERELY REPRESENTATIONAL, AND MAY NOT ACCURATELY MATCH THE SPECIFIED COLORS. FOR ACTUAL COLOR VALUES, PLEASE CONSULT A PANTONE OR 3M COLOR GUIDE.

DISCLAIMER

© MILWAUKEE SIGN CO., LLC. THIS DOCUMENT REFLECTS TRADE SECRETS AND CONFIDENTIAL INFORMATION, AND MAY NOT BE COPIED, PUBLISHED, OR DISSEMINATED IN ANY MANNER WITHOUT THE PRIOR EXPRESS WRITTEN CONSENT OF MILWAUKEE SIGN CO. ALL RIGHTS RESERVED INCLUDING ANY APPLICABLE PATENT AND COPYRIGHT RIGHTS. ALL ILLUSTRATIONS ARE VISUAL REPRESENTATIONS ONLY. REFER TO ENGINEERING DRAWINGS FOR SPECIFIC INFORMATION.

DESCRIPTION: MURPHY 51-1/2"x117-5/16"
LED PRICE SIGN w/40" LED's

| DRAWING NO. | DATE | DRAWN BY | REV |
|-------------|----------|----------|-----|
| CON2889 | 06/29/04 | JWG | 1 |





ADDITIONAL NOTES:

DISCLAIMER

© MILWAUKEE SIGN CO., LLC. THIS DOCUMENT REFLECTS TRADE SECRETS AND CONFIDENTIAL INFORMATION, AND MAY NOT BE COPIED, PUBLISHED, OR DISSEMINATED IN ANY MANNER WITHOUT THE PRIOR EXPRESS WRITTEN CONSENT OF MILWAUKEE SIGN CO. ALL RIGHTS RESERVED INCLUDING ANY APPLICABLE PATENT AND COPYRIGHT RIGHTS. ALL ILLUSTRATIONS ARE VISUAL REPRESENTATIONS ONLY. REFER TO ENGINEERING DRAWINGS FOR SPECIFIC INFORMATION.

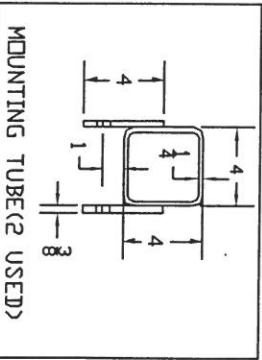
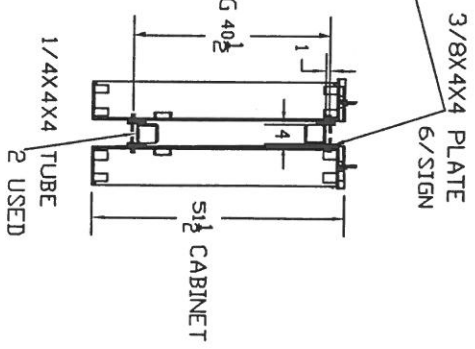
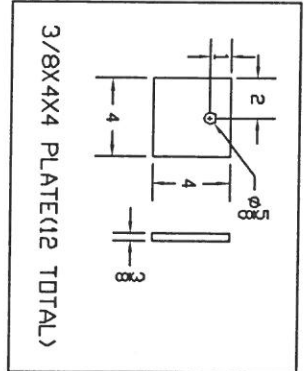
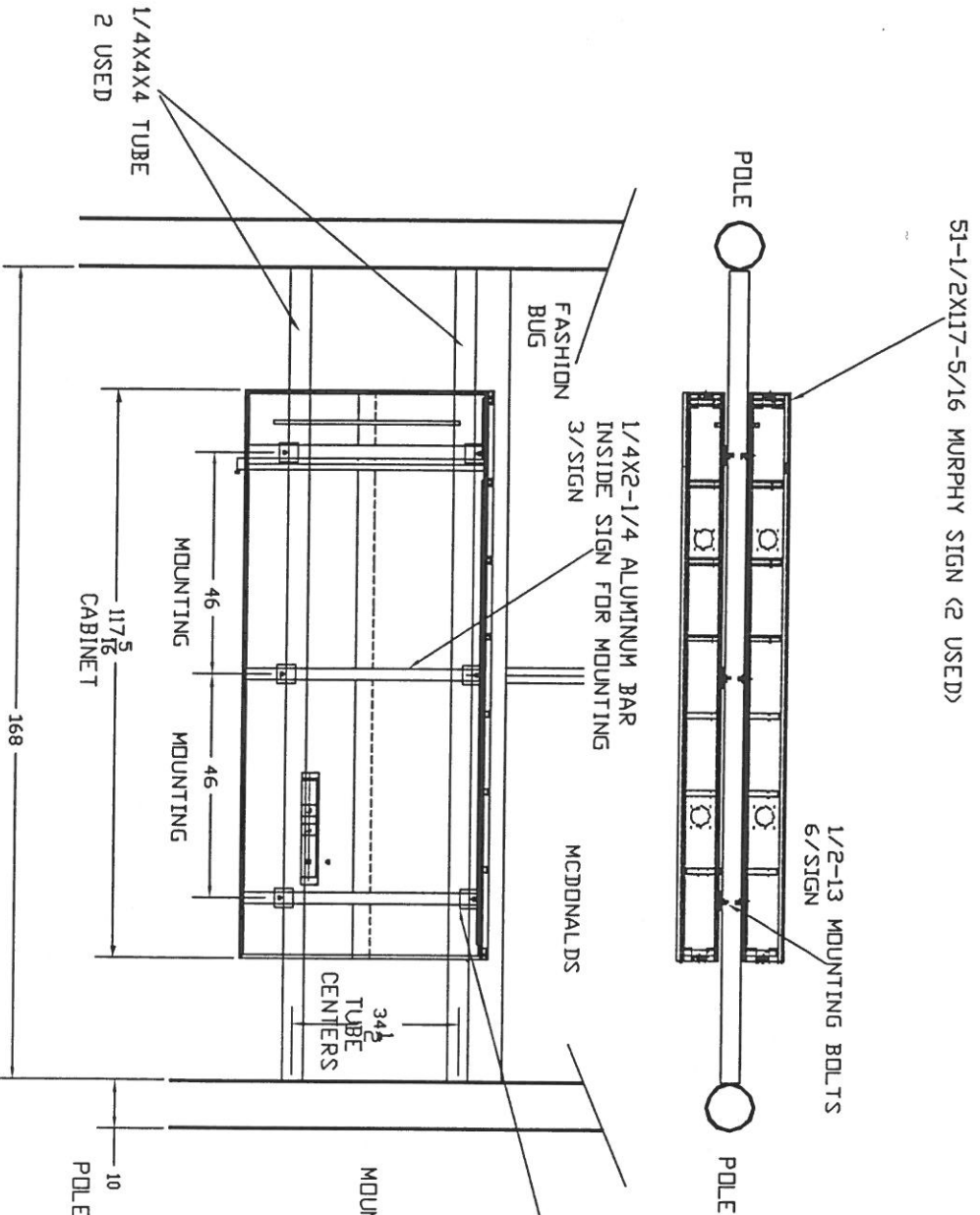
DESCRIPTION: WAL-MART HI-RISE w/MURPHY LED PRICE SIGN w/40" LED's

| DRAWING NO. | DATE | DRAWN BY | REV |
|-------------|----------|----------|-----|
| CON4030 | 04/19/05 | JWG | 0 |



COLORS ON THIS PRINT ARE MERELY REPRESENTATIONAL, AND MAY NOT ACCURATELY MATCH THE SPECIFIED COLORS. FOR ACTUAL COLOR VALUES, PLEASE CONSULT A PANTONE OR 3M COLOR GUIDE.

*Sign Next to Rt 29
Sign @ 65' High*



| DATE | REV | DESCRIPTION | INITIAL | CHK. PROCESS CONTROL | TOLERANCE UNLESS NOTED | DESCRIPTION | DRAWING NO. | DATE | DRAWN BY | REV |
|------|-----|-------------|---------|---|---|--------------------------------|-------------|----------|----------|-----|
| | | | | SHEARING - METAL PUNCH, SORTING, SAW BENDING, MOLDING SHEARING PLASTIC, ROLLING RESTRAINED - FORMING .5X11 .5X12 .5X14 .5X16 .5X17 | .XX .XX .XJIS .XX .X .XJIS .XX .X .XJIS .XX .X .XJIS .XX .X .XJIS .XX .X .XJIS .XX .X .XJIS | WALMART HIRISE WITH 40" MURPHY | DR1641 | 05/06/05 | PAO | |
| | | | | MILWAUKEE SIGN CO., LLC. THIS DOCUMENT REFLECTS TRADE SECRETS AND CONFIDENTIAL INFORMATION AND MAY NOT BE COPIED, REPRODUCED, OR DISSEMINATED IN ANY MANNER WITHOUT THE PRIOR EXPRESS WRITTEN CONSENT OF MILWAUKEE SIGN CO. ALL RIGHTS RESERVED INCLUDING ANY APPLICABLE PATENT AND COPYRIGHT RIGHTS. | | | | | | |

